

RED LINE SAFETY LIGHT 8262



The Red Line was developed with a focus on safety and operational comfort in industrial environments. Its intense red light projects a strip on the ground at the sides of forklifts, creating a visual barrier to alert pedestrians and other vehicles about the danger zone, minimizing the risk of accidents. Additionally, the lines projected on the ground enhance the operator's visibility during maneuvers, facilitating the daily work routine.

- Minimizes the risk of accidents
- Issues a visual danger alert
- Improves operator visibility

SUGGESTED APPLICATIONS



Illustrative image

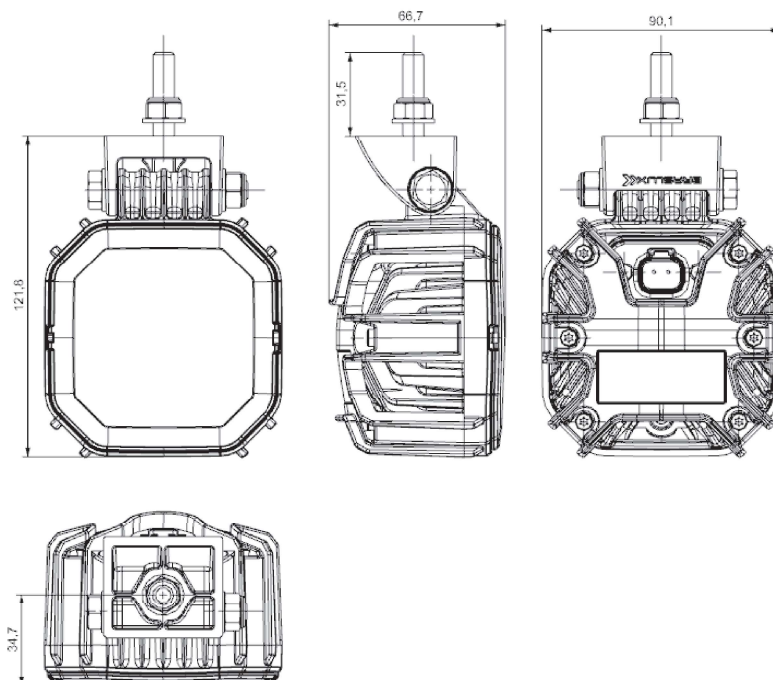
TECHNICAL DATA:

Part number	Voltage	Power	Connection	Lens	Housing	Assembly	Max.torque	Weight
8262.40.205	12V	8 W	Deutsch DT06-25	PC	Thermo polymer	Screw M8	10 N.m	0,378 Kg
	48V	10 W						



For more information, visit the website www.braslux.com.br

TECHNICAL DRAWING:



Unit of measure in millimeters