

POSITION LIGHT 8116

The set of 8116 lights provides a solution for the front and side of trailers. It features a wide illuminated area and enhanced visibility, promoting road safety. With an integrated retroreflector, it eliminates the need for applying an additional product, giving the vehicle a clean and harmonious design.

The plug and play application allows for easy modernization of implements in all models, such as vans, grain carriers, dump trucks, tanks, among others.



SUGGESTED APPLICATIONS



Illustrative image

TECHNICAL DATA:

Part number	Operation voltage	Connection	Power	Lens	Housing	Assembly	Max.torque	Weight
8116.80.301	12-24 V	AMP 282080-3 2 Vias	1,25 W	PMMA	ABS	Screw M6	3,0 N.m	0,62 Kg
8116.81.301	12-24 V	AMP 282080-3 2 Vias	1,25 W	PMMA	ABS	Setup Stud M4	1,5N.m	0,55Kg



Patented Braslux



IP6K7K



1500 h



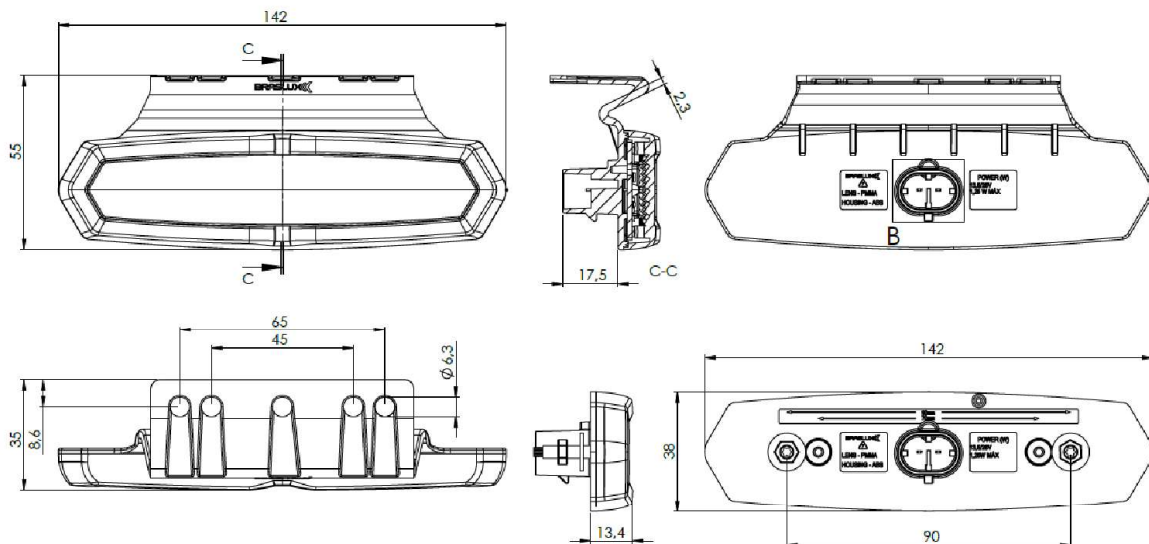
Homologated



-40 to 50 °C

For more information, visit the website www.braslux.com.br

TECHNICAL DRAWING:



Unit of measure in millimeters