

WORK LIGHT 8255

The work light 8256 is a 100% LED light, fully sealed. A robust product designed for severe applications, it provides a white and homogeneous light with excellent illumination efficiency. It is a compact and lightweight product, available in spot and wide versions.



- 100% LED
- Compact and Lightweight
- Spot and Wide

SUGGESTED APPLICATION



Illustrative image

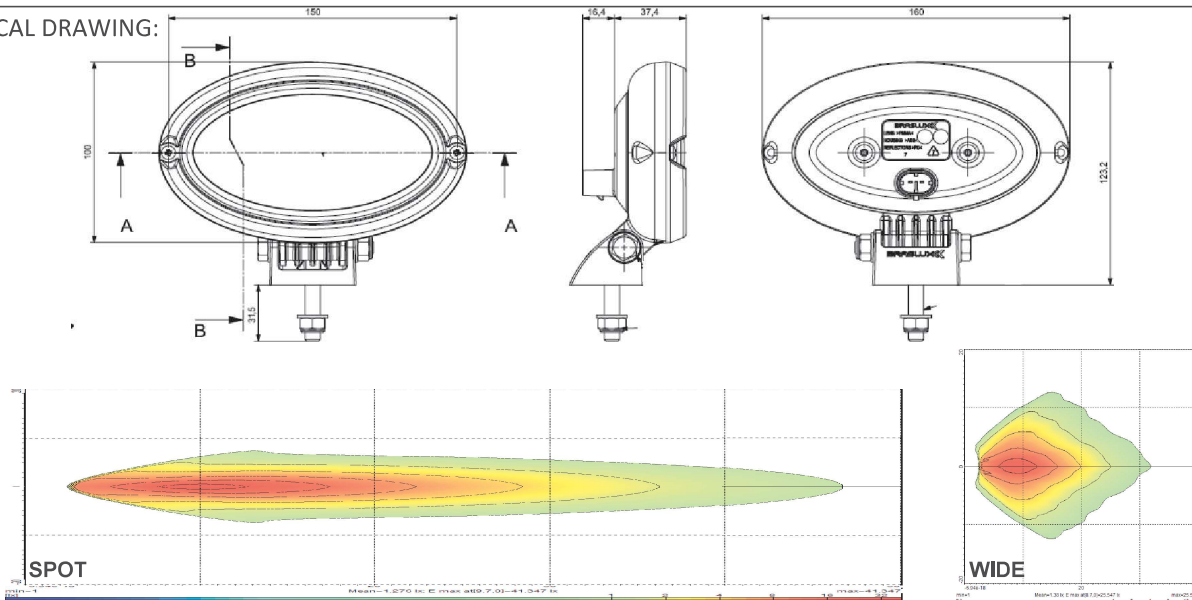
TECHNICAL DATA:

Part Number SPOT - Clear Lens	Part Number WIDE - Fluted Lens	Model	Light Output	Colour Temperature LED	Operation Voltage	Connection	Power Max.	Lens	Housing	Assembly	Torque Max.	Weight
8255.64.305	8255.65.305	No turning base	580 lm	5000 K	12-24 V	Superseal 282080-1	10 W	PMMA	ABS	Screw M8	10 N.m	0,378 Kg
8255.84.305	8255.85.305	No turning base										
8255.82.305	8255.83.305	With swivel base										
8255.86.305	8255.92.305	Reversed polarity										



For more information, visit the website www.braslux.com.br

TECHNICAL DRAWING:



Unit of measure in millimeters