

INDICATOR LIGHT 8560



100% made in Brazil, the curved directional flashlight is a reliable and robust product for agricultural machinery. Fully interchangeable with market models, it stands out for its efficiency being entirely LED-based. Completely waterproof, it allows for use in various environments without water or dust penetration. Electronically protected, it ensures safe application without causing damage to the product or nearby equipment.

- 100%
- Interchangeable
- Full electronic protection

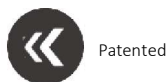
SUGGESTED APPLICATIONS



Illustrative image

TECHNICAL DATA:

Part number	Operation voltage	Function	Power	Connection	Lens	Housing	Assembly	Max.torque	Weight
8560.80.301	12-24V	Indicator	1,3W	Compatible C-282087-1 AMP	PMMA	ABS	3 N.m	Screw M6	0,240 Kg



Patented



IP6K7
IP6K9K



1500 h



Homologated



CISPR25 - classe 3



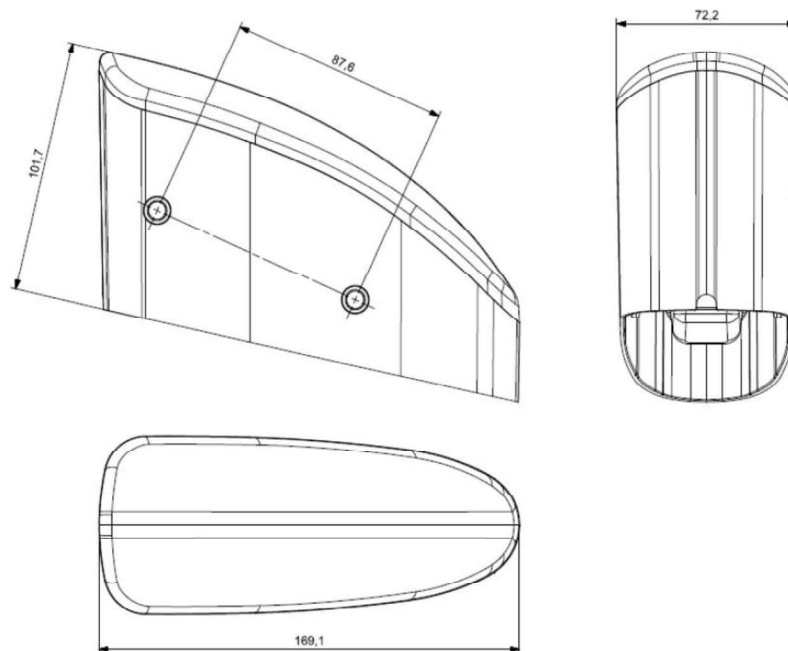
-40 a 60 °C



Approvable

For more information, visit the website www.braslux.com.br

TECHNICAL DRAWING:



Unit of measure in millimeters