

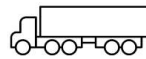
# CLEARANCE LIGHT 8552



The clearance light is a robust and efficient product, designed for trucks. With a modern design and rubberized body, it offers excellent visibility in adverse conditions, ensuring greater safety. Lightweight and durable, it helps reduce vehicle weight, increasing load capacity. Versatile, it can be mounted vertically or horizontally, making it ideal for demanding and long-term applications.

- 100% LED
- Rubberized body
- High visibility

### SUGGESTED APPLICATIONS



TRAILERS

Illustrative image.

### TECHNICAL DATA:

Part number Right side	Part number Left side	Rated voltage	Connection	Power consumption (12V)	Power consumption (24V)	Funcctions	Lens material	Housing material	Mounting	Maximum torque
8552.80.305	8552.81.305	12/24V	AMP 2V with 0,6m cable	0,35W	0,75W	Clearance light	PMMA	ABS	Front	3,0 N.m
8552.82.305	8552.83.305	12/24V	AMP 2V with 1,5m cable	0,35W	0,75W	Clearance light	PMMA	ABS	Front	3,0 N.m

**ECE** HOMOLOGABLE

**IP** IP6K7

**UV** 1500h (rubber arm) / 1500h (lens)

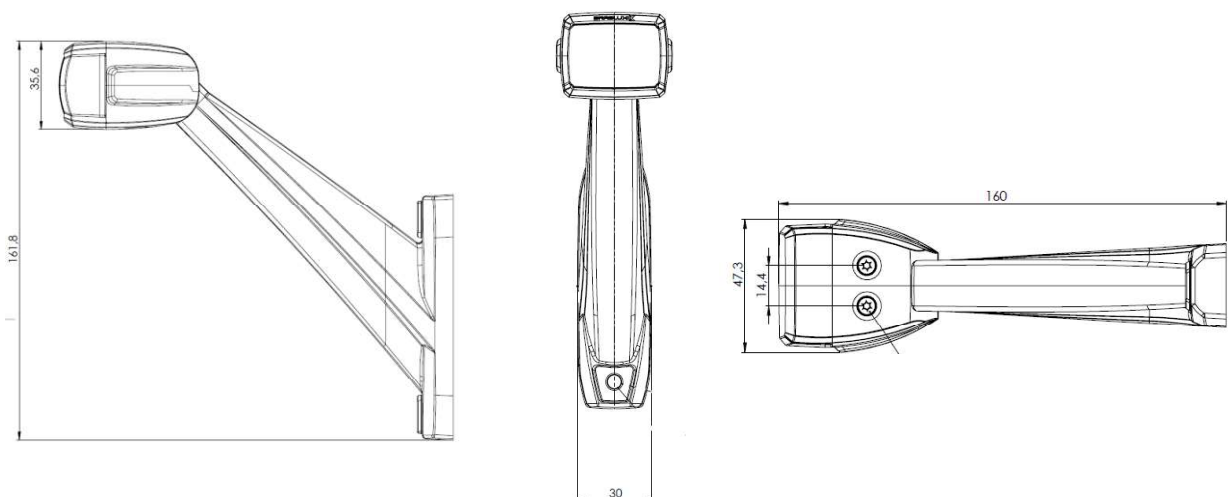
**970**  
CONTRAN HOMOLOGATED

**TEMP** -40°C to 70°C

**BRASLUX** Patented Braslux

For more information, visit the website [www.braslux.com.br](http://www.braslux.com.br)

### TECHNICAL DRAWING:



Unit of measure in millimeters